



**AGM
MOBILE**

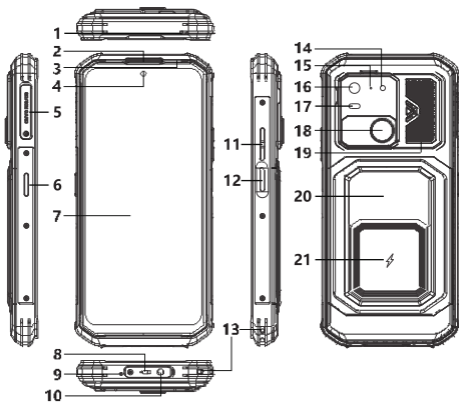
Quick Start Guide

AGM G3 | AGM G3 PRO

Thank you for choosing AGM!

Product features and accessories depend on software, phone memory, and local networks, and may be restricted by operators or service providers. Descriptions may not match the purchased items. The manufacturer may change information in this manual without prior notice.

Overview & Description of Functions



1> Secondary Microphone

2> Receiver

Waterproof receiver. Do not touch it with a hard pin.

3> Light Sensor

4> Front Camera (50MP)

5> SIM/SD Tray and Waterproof Rubber Cover

6> Side Key Function

7> Display

8> USB Type-C Port and Waterproof Rubber Cover

9> Microphone

For calls and recording. Do not touch it with a hard pin. **10>**

3.5mm Headphone Jack and Waterproof Rubber Cover **11>**

Volume Keys

12> Fingerprint/Power Key

- 13> Lanyard Hole
- 14> Macro Camera (2MP)
- 15> Pressure Balance Hole
- 16> Main Camera (64MP)
- 17>Flash
- 18> Thermal Imaging Camera

This function is only available for the AGM G3 PRO version. It measures temperature via infrared.

19> Speaker

Waterproof speaker. The speaker volume may decrease after water immersion but will recover once dry.

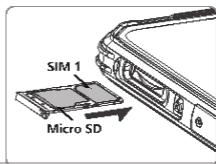
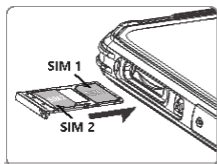
20> Camping Light

21> NFC/Wireless Charging Area

GETTING STARTED

Installing the SIM and Micro SD Card:

1. Remove the SIM/SD tray's waterproof rubber cover, then use the provided metal ejector pin to open the SIM tray.
2. Pull out the SIM tray.
3. Place a Nano-SIM card or Micro SD card in the outer slot.
4. Ensure the metal contacts of the Nano-SIM and Micro SD card face downward, and align the card's cut corner with the corresponding notch on the tray (as shown in the diagram above).



NOTE:

1. Supports dual Nano SIM cards or a single Nano SIM card with a Micro SD card.
 2. When using two SIM cards, both can stay connected to the network simultaneously, but you cannot make calls on both at the same time.
 3. Use a standard Nano SIM card.
- *Non-standard cards may not be recognized by the phone and could damage the tray.
4. This product has obtained a network access license. After inserting a SIM card, your communication and network services require support from your carrier, and fees for calls and data will be charged by the carrier of the selected card.

* Your network connectivity and available services depend on the local infrastructure deployment of your chosen carrier.

BATTERY AND CHARGING

Note: The battery of this device is non-removable.

Standby Time:

1. A mobile phone's standby time depends on its operating environment.
2. Standby time may be reduced when the phone is used in areas with weak network signals or in low-temperature environments.
3. Screen brightness, system settings, games, music, videos, location services, camera usage, Bluetooth, WiFi, and running applications consume the most battery power.

Charging the Phone

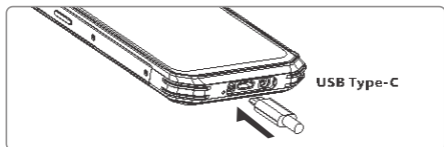
1. Open the USB Type-C port cover and connect the USB power cable to the port. Be careful not to use excessive force when plugging in the cable. Any damage caused by attempting to insert the connector incorrectly is not covered by the warranty.
2. Connect the other end of the USB power cable to the charging power adapter.

*The device supports CE/CB/FCC/EAC/PSE or equivalent certified chargers. The recommended charger output is 9V 3A and Supports PD fast charging 3.0 or above, and is compatible with the PPS protocol.

3. Uncertified equipment may cause damage to the device or battery explosion.

4. Plug the charger into an AC mains socket.

* When charging is complete, disconnect the cable from the device first, then close the USB port cover on the device.



Tips:

1. The optimum working temperature for the phone is 0 ~40 . Charging the phone outside this range will damage the battery and shorten its lifespan.

* Do not charge the phone in extremely low or high temperatures.

For safe charging, maintain a temperature range explosion of 5°C~40 . Failure to do so may result in battery damage or

2. Use only certified chargers and cables to ensure maximum performance and safety.
3. Note that the battery will discharge gradually even when the phone is unused or powered o. If you plan to store the device for an extended period, charge it at least every two months to prevent complete power loss and protect your data.

ADDITIONAL FUNCTIONS

Thermal Imaging Camera

Click on the "Thermal AGM" app to activate this feature.

Thermal Imaging Notice:

To ensure user safety and device protection, please read all the following instructions carefully before using the device.

1. **When using the thermal camera, do not point it directly at extremely high-intensity thermal radiation sources such as the sun, lasers, or spot welding machines. This could burn the module and cause permanent damage.**
2. **The ideal working temperature is -10°C to 50°C.**
3. **Do not let the lens come into contact with sharp or hard objects.**
4. **Do not use corrosive solutions to clean the lens.**
5. **Be aware of static electricity.**
6. **Do not disassemble the device. If a fault occurs, contact AGM for professional repair.**

***Scan the QR code to view the thermal imaging user manual.**

WARNING



At full volume, extended use of the mobile audio player may damage the user's hearing.

DISPOSAL AND RECYCLING INFORMATION



The symbol on the device and its batteries means shouldn't be thrown away as regular household garbage or unsorted municipal waste. At the end of their life, hand over the device and batteries to a certified collection point for recycling or proper disposal.

Basic information of manufacturer

Company: AGM MOBILE LIMITED

Address: FLAT/RM 2253 22/F HOI TAI FACTORY ESTATE
TSING YEUNG CIRCUIT TUEN MUN NT, HONG KONG, CHINA.

THIS DOCUMENT IS FOR INFORMATION PURPOSES ONLY, AND DOES NOT CONSTITUTE ANY KIND OF WARRANTY.



Discover more fun by
joining AGM community.



Download CE Certification



Download Energy labelling information



THIS MAUNUAL IS FOR REFERENCE ONLY,
THE ACTUAL FUNCTIONS AND PRODUCT MAY BE
SLIGHTLY DIFFERENT FROM THIS MANUAL,
PLEASE REFER TO THE ACTUAL PRODUCT.

