

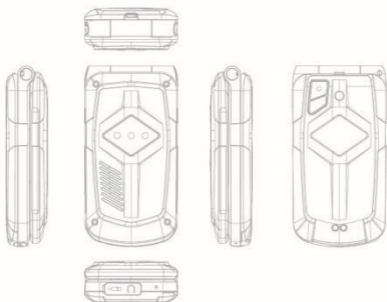


Quick Start Guide

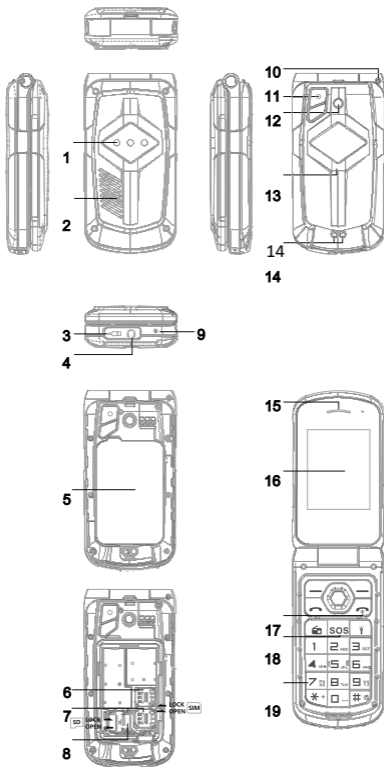
AGM M10 FLIP

NOTICE:

Features of the product and its accessories described herein rely on the software, phone internal memory and local networks, and may not be activated or may be limited by local network operators or service providers. Therefore, the descriptions herein may not exactly match the purchased product or its accessories. The manufacturer reserves the rights to change or modify any information or specifications contained in this manual without prior notice or obligation. The manufacturer is not responsible for the legitimacy or quality of any products that you may upload or download through this device including but not limited to text, images, music, movies, and non-integral software. Any consequences arising from the usage of the preceding products on this device is the responsibility of.



Overview



DESCRIPTION DES FONCTIONS

1>Reminder light

Missed Calls/Missed SMS/Charging reminder.

2> LOUDSPEAKER

3>USB Type -C port and Waterproof Rubber Cover

4>3.5mm Headphone Jack and

Waterproof Rubber Cover

5>INNER BATTERY DOOR.

Inner battery door is designed to prevent water ingress

Install. Open the inner battery door from top left corner.

6>SIM TRAY 1

Supports Nano SIM.

7>SIM TRAY 2

Supports Nano SIM.

8>Micro SD TRAY

Supports Micro SD.

9>Air Pressure Balance Hole

10> Rope hole

11>CAMERA(3MP)

12>LED

LED flash light.

13>OUTER BATTERY DOOR

Outer battery door does not prevent water ingress.

Open the outer battery door from left lower corner.

14>Charging Connection Spots

Desktop dock connection spots.

15>RECEIVER

Waterproof receiver for receiving calls.Do not touch with hard materials.

16>Display

2.4 inches Display.

17>POWERING YOUR DEVICE ON/OFF

POWER ON:

Press and hold POWER key. The default language is English, please go to Settings if need change a language.

POWER OFF:

Press and hold POWER key. Select Power off.

18>SOS KEY

Press and hold for 5 seconds to activate the SOS function.

19>KEYPAD

Use to input numbers and letters.

GETTING STARTEN

WATERPROOF WARNING:

This device is IP68/IP69K/MIL -STD-810H certified. Battery doors and USB port cover must be completely closed to prevent water damage.

INSTALLING A NANO SIM CARD OR MICRO SD CARD

1. Open the battery door with a screwdriver.
2. Take out the battery from top.
3. Align Nano SIM according to the graphic note and use your fingertip to place the Nano SIM card in the SIM 1/ SIM 2 tray with gold pins facing downwards.
4. In case A MEMORY CARD need to install, please Open the micro SD card tray by slide the metal cover in the direction of the 'Open' arrow (which you' ll find stamped on the metal tray) and lift the unhinged edge to open. Install the microSD card (contacts face down), finally close the metal cover and slide in the direction of the 'Lock' arrow, to secure in the closed position.
5. Reinsert the battery and outer battery door.

NOTE:

DUAL SIM DEVICE: Supports 2x Nano SIM card and 1x microSD card. When 2 SIM cards are in use, the primary SIM card supports 4G, 3G and 2G connections, the secondary SIM card supports 2G connections only.

CHARGING THE BATTERY

Before using your device for the first time you will need to charge the battery.

1. Remove the insulation tape (if have) from the battery contacts.
2. Connect the USB power cable to the charging power adapter. This device is an Eco-friendly mobile device, wh ich does not come along with a power adapter in the box in editions of some areas. This device supports

CE/CB/FCC/EAC or equivalent certified chargers. The recommended charger output is 5V/1A or 5V/2A. Uncertified equipment may cause damage to the device or cause batteries to explode.

3. Open the USB Type-C port cover and connect the USB power cable to the port. Be careful not to use excessive force when plugging the cable. Any damage caused by attempting to insert the connector incorrectly is not covered by the warranty.

4. Plug the charger into an AC mains socket.

5. When charging is complete, remove the cable from the device. then unplug the power adapter from the mains socket. Close the USB port cover on the device.

6. This device supports cradle charger, which need purchase the charger separately.

COMMON FUNCTIONS

Set sos Key

*In Europe, Russia, the SOS key is 112 (long pressing 5 seconds will automatically dial its number).

*In the Americas, the SOS key is 911 by default (long pressing 5 seconds will automatically dial its number).

*When the user wants to modify the phone number saved by the SOS button, click on the main menu > Settings > SOS Settings, and select the SOS number for re editing.

Lock/Unlock the screen

When the screen is woken up, press LEFT SOFT KEY and " * " to unlock/lock the phone.

TORCH SWITCH

When the screen is unlock, long press the " Torch " key to turn on/off the torch.

RING/MUTE/VIBRATE MODE/#

Press and hold # key to change modes of RING, MUTE and VIBRATE.

Making a call

Unlock the phone and press digit number to make a call. Select and enter Contacts menu and choose a person to make a call.

Sending an SMS/MMS*

Select and enter Messaging menu to write SMS or MMS. MMS is dependent on the APN settings and it may not work with some SIM cards. This device does not support automatic settings updates sent by your network provider.

Volte call*

Volte calling is supported in some areas and only with some SIM cards. The signal bar place will show " 4G" or " HD" or " VOLTE" during calling if Volte is working.

RESET TO FACTORY DEFAULT

Reset code is 1234.

WARNING



At full volume, extended use of the mobile audio player may damage the user's hearing.

DISPOSAL AND RECYCLING INFORMATION



This symbol on the device (and any included batteries)

indicates that they should not be disposed of as normal household garbage. Do not dispose of the device or batteries as unsorted municipal waste.

The device (and any batteries) should be handed over to a certified collection point for recycling or proper disposal at the end of their life.

Basic information of manufacturer

Guangdong Aijiemo Electronic Industry Co., Ltd

Copyright © AGM Mobile Limited

2024. All rights reserved.

THIS DOCUMENT IS FOR INFORMATION PURPOSES ONLY,
AND DOES NOT CONSTITUTE ANY KIND OF WARRANTY.